

iQ500, heat pump tumble dryer, 9 kg WQ42G20LDN



Optional accessories

WZ20160	Condenser drainage kit
WZ20600	Wool in basket - accessory
WZ27400	Stacking kit with pull-out shelf
WZ27410	Stacking kit
WZDP20D	Platform with pull-out, dryer, cubic

Outstanding laundry performance with autoDry for gentle and even drying of your garment.

- ✓ easyClean filter: Experience hassle-free cleaning and obtain excellent drying results.
- ✓ autoDry - Achieves excellent drying results via sensor technology
- ✓ Half load - Optimize the duration of smaller loads with an accurate estimation of the selected program.
- ✓ Outdoor programme – Dry your waterproof and outdoor clothing safely.
- ✓ Super40: Fast and careful drying of small loads

Features

Technical Data

Built-in / Free-standing:	Free-standing
Removable top:	No
Door hinge:	Right
Length electrical supply cord:	145 cm
Dimensions:	842x598x613 mm
Net weight:	58.0 kg
Fluorinated greenhouse gases:	R290
Hermetically sealed equipment:	Yes
EAN code:	4242003970546
Connection rating:	600 W
Fuse protection:	10 A
Voltage:	220-240 V
Frequency:	50 Hz
Rated capacity, in kg, for the eco programme at full load (EU 2017/1369):	9.0 kg
Energy Efficiency Class (Regulation (EU) 2017/1369):	D
Weighted energy consumption per cycle (EU 2017/1369):	1.28 kWh/cycle
Weighted energy consumption per 100 cycles (EU 2017/1369):	128 kWh/100 cycles
Condensation Efficiency (EU 2017/1369):	83 %
Programme duration half capacity (EU 2017/1369):	2:12
Programme duration rated capacity (EU 2017/1369):	3:50



iQ500, heat pump tumble dryer, 9 kg WQ42G20LDN

Features

Engine power and consumption

- Energy efficiency class¹: D
- Energy²: 128 kWh
- Rated Capacity³: 9 kg
- Duration time³: 3:50 h:min
- Noise class: B (on a scale from A to D)
- Noise level³: 62 dB (A) re 1 pW
- Condensation efficiency class: C (on a scale from A to D)
- Condensation efficiency³: 83%

Programmes

- Standard programmes: Cotton, Easy Care
- Special programmes: Cotton, Shirts, Cotton Eco, Lingerie, towels, pillow, mix, outdoor, Rapid 40, Duvet, Easy Care, Wool Finish, timeprogramm cold, Time Program Warm

Options

- Anti crease cycle 120 min at the end of the programme
- Half Load option: optimizes drying for smaller loads
- Touch control buttons: Iron dry, Cupboard dry, Cupboard dry+, end time delay, less ironing, Low Heat, Buzzer, Start / Reload / Pause, 24 h end time delay

Comfort and safety

- easyClean filter
- Motor type: EcoSilence Drive motor
- autoDry technology
- Large LED-Display for remaining time and 24 h end time delay, programme status indication, special functions.
- load recommendation
- Usage meter: counts completed programmes
- soft dial
- Air flow Drying System: Big Stainless steel drum with textile care structure, soft design paddles
- antiVibration Design: more stability and quietness
- Drumlight: Drum interior light: LED
- Drain set for condensate: Yes
- Electronic childlock
- Buzzer to indicate the end of cycle
- NewValue door with cover glass, black, white
- Door hinge: right-hand
- Metal door closing hook

Technical information:

- slide-under at height of 85 cm
- Dimensions (H x W): 84.2 cm x 59.8 cm
- Appliance depth: 61.3 cm
- Appliance depth incl. door: 64.8 cm
- Appliance depth with open door: 109.6 cm
- Heat pump technology with eco-friendly cooling agent R290

¹ At a range of energy efficiency classes from A to G

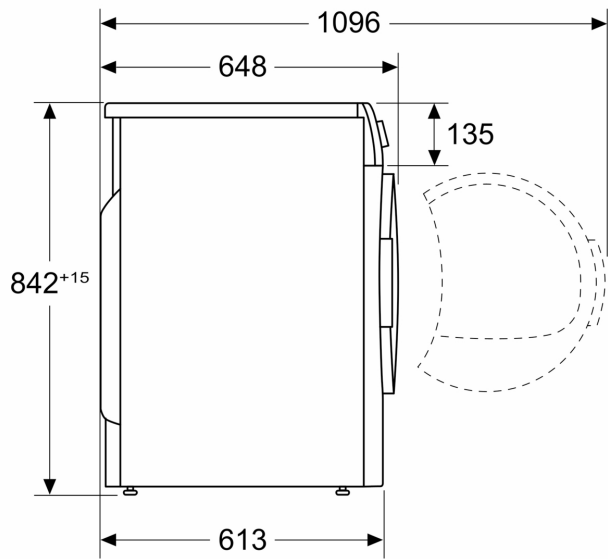
² Weighted average energy consumption per 100 drying cycles in kWh with the Eco programme

³ Eco programme at full load

iQ500, heat pump tumble dryer, 9
kg
WQ42G20LDN

Dimensioned drawings

Measurements in mm



Measurements in mm

