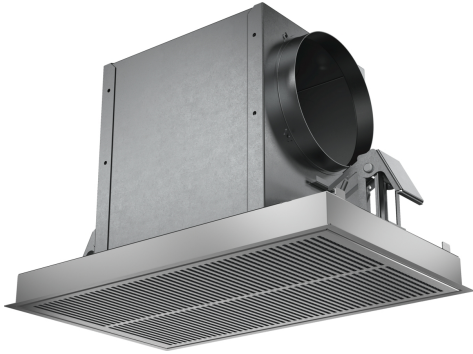


**Clean Air Plus recirculation kit,  
Stainless steel  
DIZ1JC5C6**



- **Clean Air Plus odour filter:** filters a very high amount of all kitchen odours out of the air.

---

**Technical Data**

Dimensions of the packed product (HxWxD): ..... 445 x 400 x 590 mm  
Pallet dimensions: ..... 150.0 x 80.0 x 120.0  
Standard number of units per pallet: ..... 12  
Net weight: ..... 4.4 kg  
Gross weight: ..... 6.4 kg  
EAN code: ..... 4242005179725

---



## **Clean Air Plus recirculation kit, Stainless steel DIZ1JC5C6**

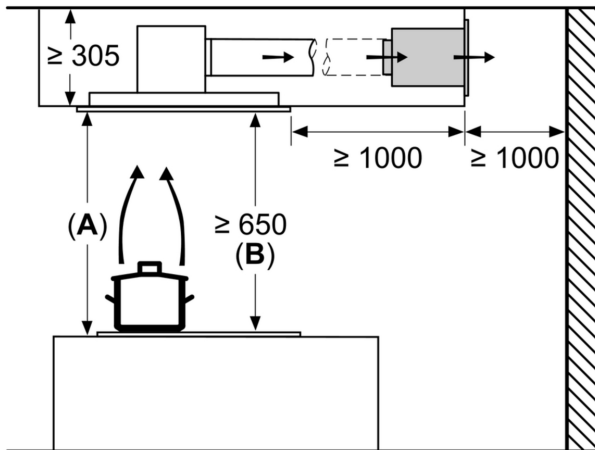
---

### **Optional accessories**

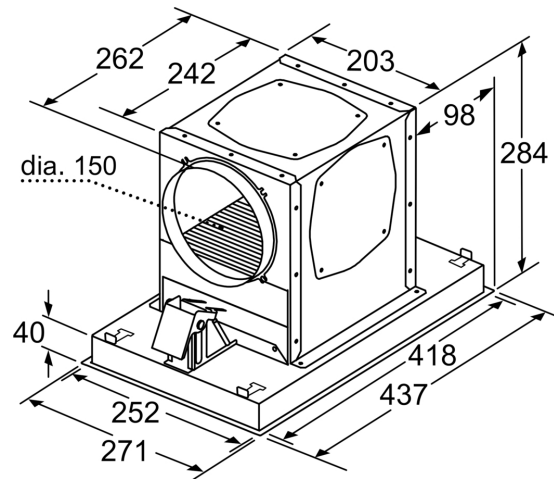
- Clean Air Plus recirc. kit external inox
- colour: stainless steel
- For recirculation operation
- Combined with ceiling hoods
- Odour reduction > 90 %
- Lifetime of Clean Air Plus odour filter at least 12 months
- Anti-fish functionality: Especially treated against fish smell.
- Anti-pollen functionality: The filter retains 99 % of airborne pollen and deactivates allergens which are retained by the filter.
- Connection pipe front, side or top
- Consisting of filter housing with design cover and Clean Air Plus active carbon filter

**Clean Air Plus recirculation kit,  
Stainless steel  
DIZ1JC5C6**

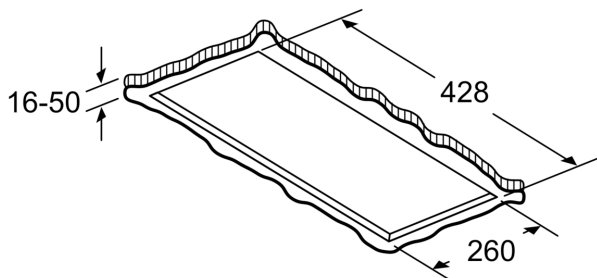
measurements in mm  
Air recirculation



**A:** Optimum performance 700-1500  
**B:** From upper edge of pan support



measurements in mm



measurements in mm